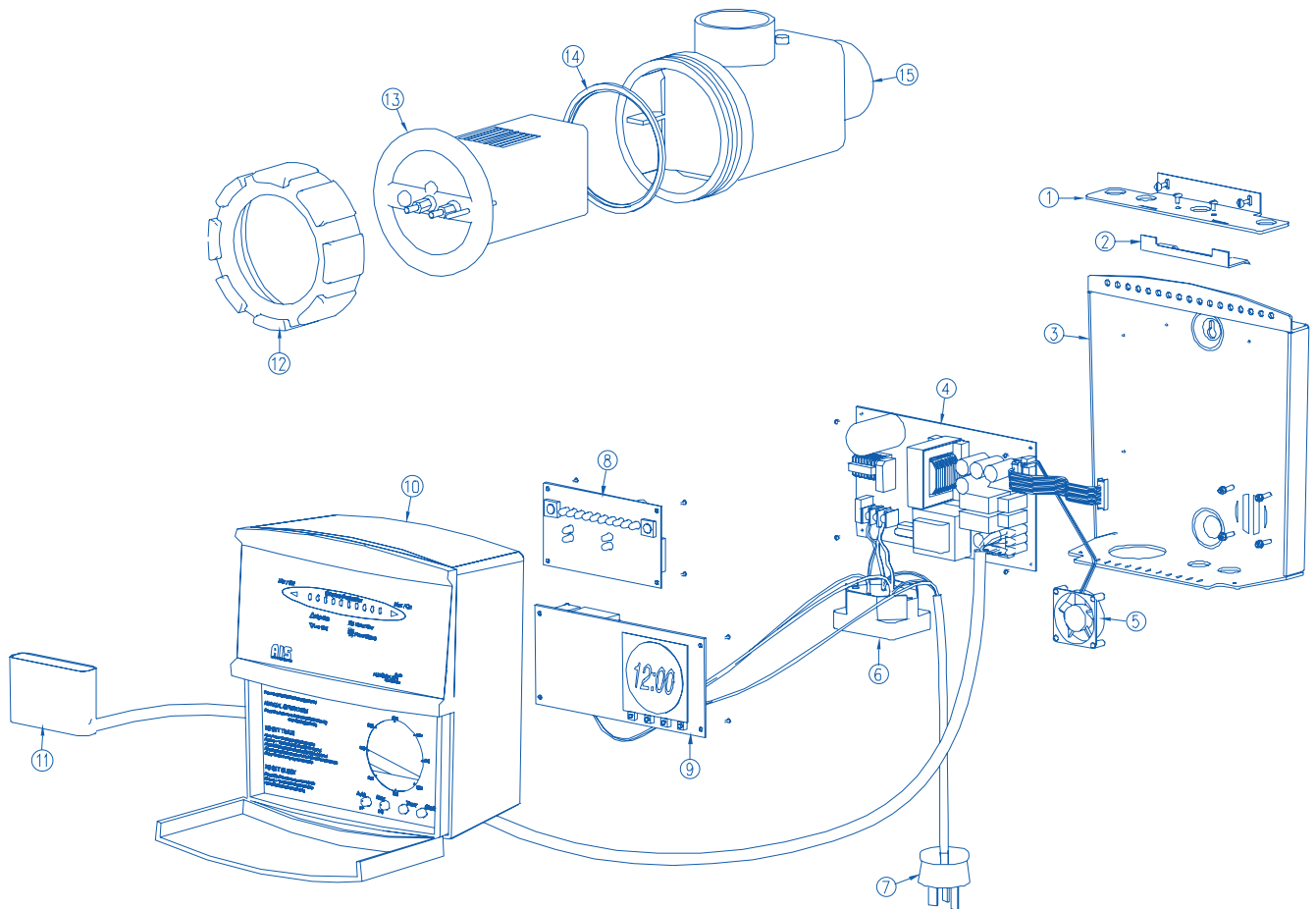


## Schematic Drawing Of SMC20/SMC30



15	CHTS	HOUSING THREADLOCK CELL CLEAR
14	ORLTC	O-RING THREADLOCK HOUSING
13	CELLSMC20/30	CELL SMC20 BI-POLAR CHLORINE GENERATOR
12	SDBLR	RING LOCKING THREADLOCK CELL BLUE
11	CLSMC	CELL LEAD SMC CHLORINE GENERATOR
10	TCSMCC	TOP COVER SMC CHLORINE GENERATOR (COMPLETE)
9	TCELCD	TIME CLOCK ELECTRONIC LCD DISPLAY
8	TPSMCB	BOARD SWITCH MODE CONTROLLER
7	L240B	LEAD Ø 3 PIN PLUG 240V 3 CORE FLEX BLUE
6	PO	SOCKET 240V PUMP OUTLET
5	TPKD2404PFB2-8	FAN 40 x 40mm 24V DC
4	TPSMPS8	BOARD SWITCH MODE POWER SUPPLY
3	TPB8SMC20/30	BASE PLATE SMC20 CHLORINE GENERATOR
2	TPH5SCSMC	CLAMP HEATSINK SMC CHLORINE GENERATOR
1	TPH5PSMC	HEATSINK PLATE SMC CHLORINE GENERATOR
<b>ITEM</b>	<b>PART No.</b>	<b>DESCRIPTION</b>
<b>MATERIAL LIST</b>		